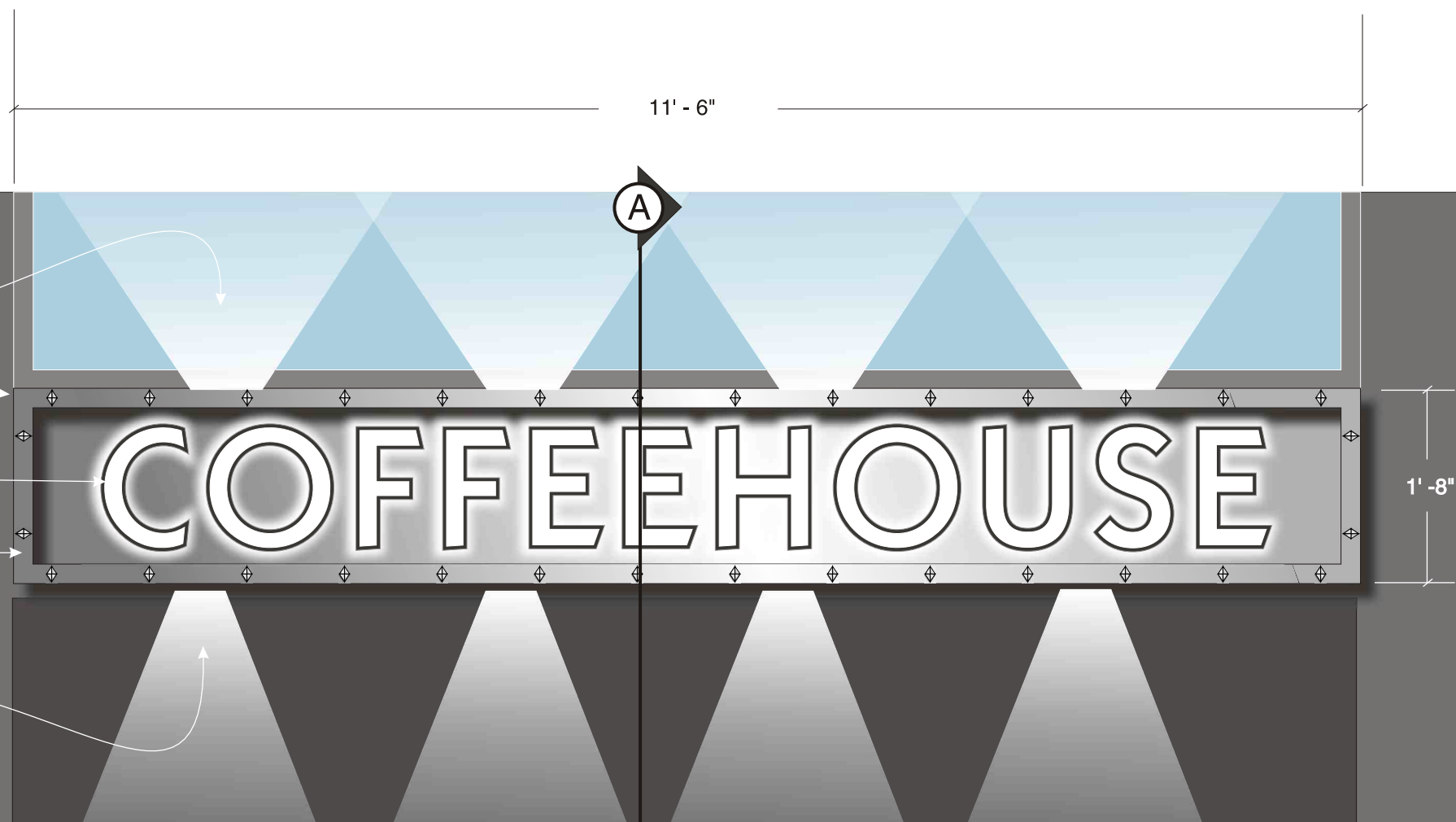
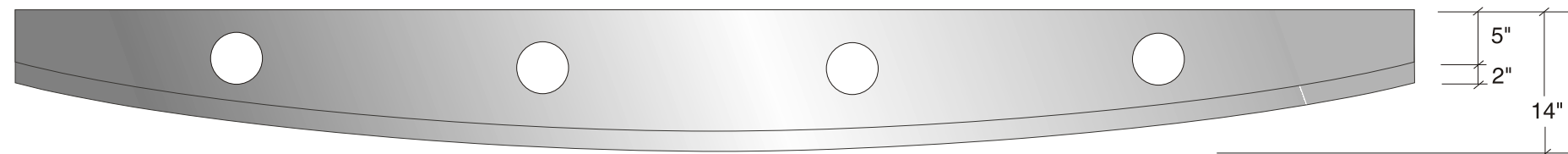


TOP VIEW

Scale: 3/4" = 1'



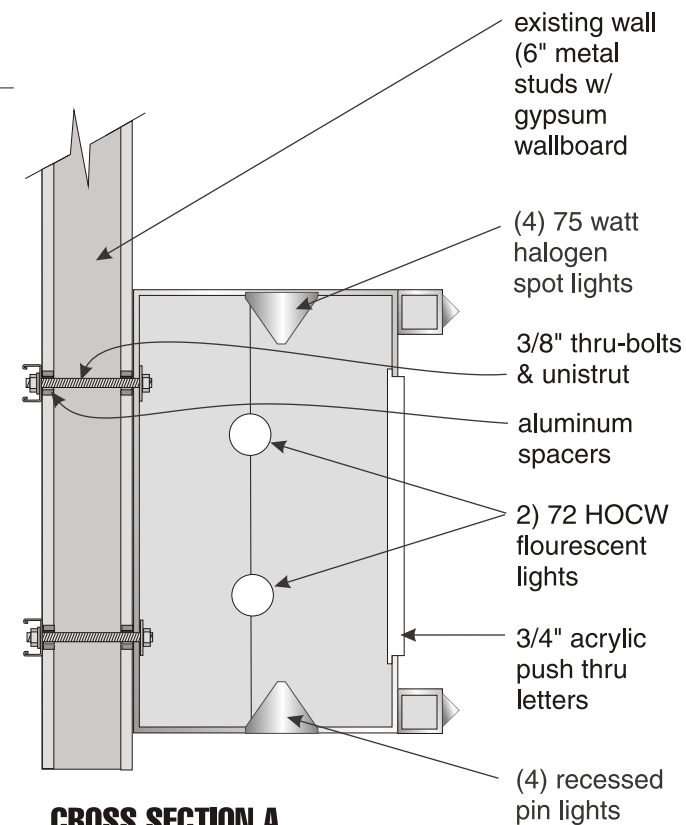
4) 75 watt halogen spot lights
(illuminates mural above sign)

.125 aluminum cabinet
sprayed metallic silver
acrylic polymer

3/4" thick white push thru
acrylic letters w/ black outline

2" x 2" aluminum frame
w/ decorative studs
sprayed metallic silver
acrylic polymer

4) recessed pin lights
(illuminates entrance
to coffeehouse)



CROSS SECTION A

/INSTALLATION

Scale: nts

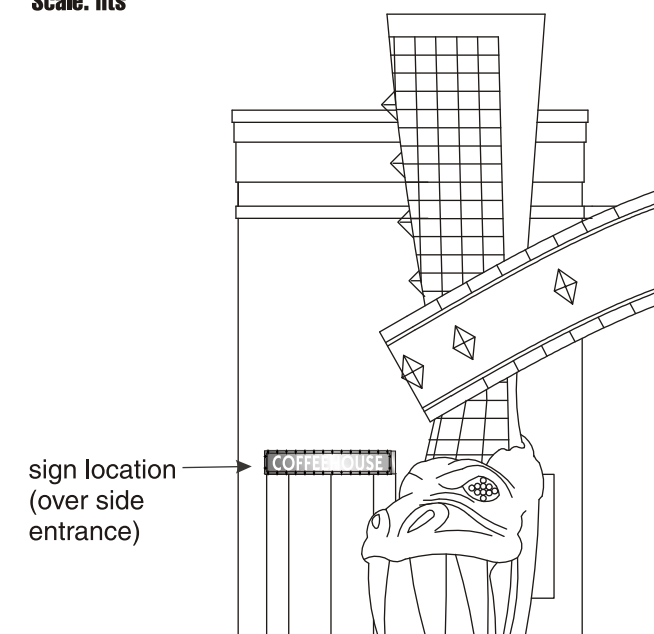
FRONT ELEVATION

Scale: 3/4" = 1'

see: cross section A



Installation /Thru-bolt Pattern: (8 thru-bolts / spaced at 3' horiz.)



artfxsigns.com

27 Britton Drive, PO Box 804, Bloomfield, CT 06002
860. 242. 0031, Toll Free 800. 466. 4278, Fax 860. 242. 2898

These plans are the exclusive property of Artfx and are the result of the original work of its employees. They are submitted to your company for the sole purpose of your consideration of whether to purchase these plans or to purchase from Artfx a sign manufactured according to these plans. Distribution or exhibition of these plans to anyone other than employees of your company or use of these plans to construct a sign similar to the one embodied herein is expressly forbidden. In the event that such exhibition occurs, Artfx expects to be reimbursed no less than \$500 per page in compensation for time and effort entailed in creating these plans. By your acceptance of these plans constitutes your agreement to this disclosure.

PROJECT:	Kiss Coffeehouse	SCALE:	1/8" = 1'	DATE:	3-31-06	DRAWN BY:	pgz	DRAWING # / FILE:	PZJobs/Kiss /SideCoffeehouse
----------	------------------	--------	-----------	-------	---------	-----------	-----	-------------------	------------------------------